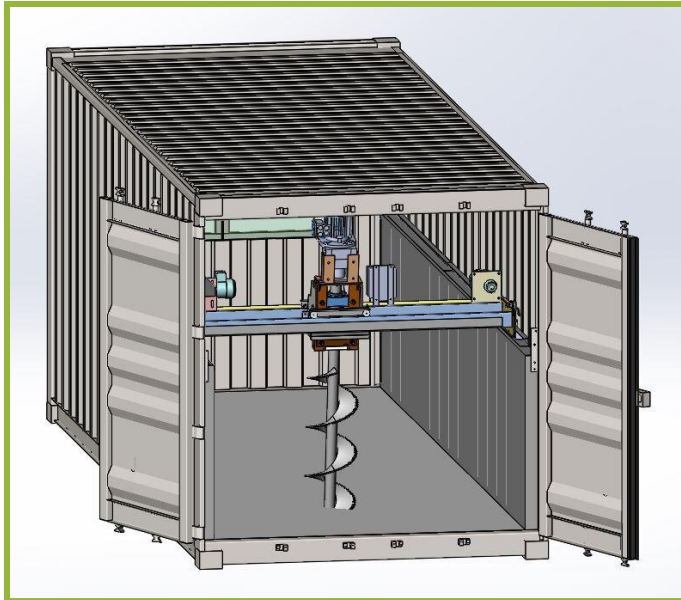


# INTERMODAL EARTH FLOW

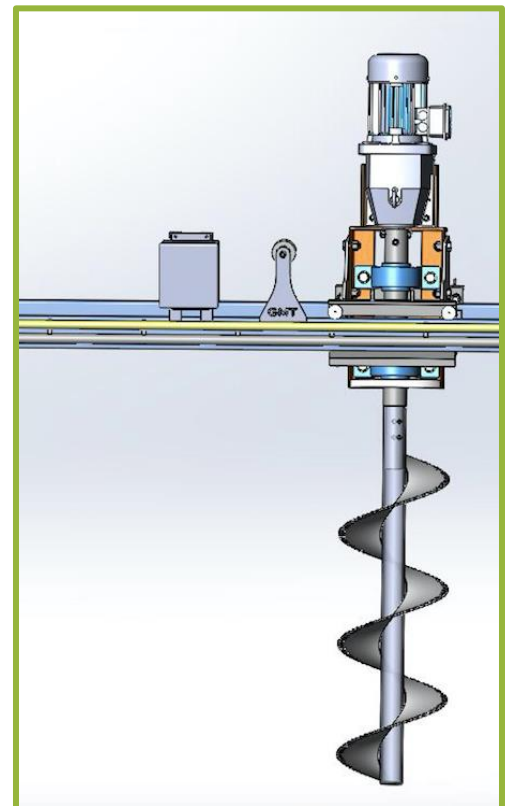
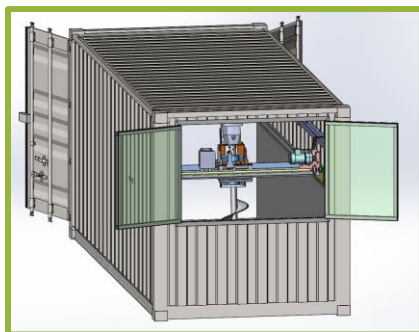


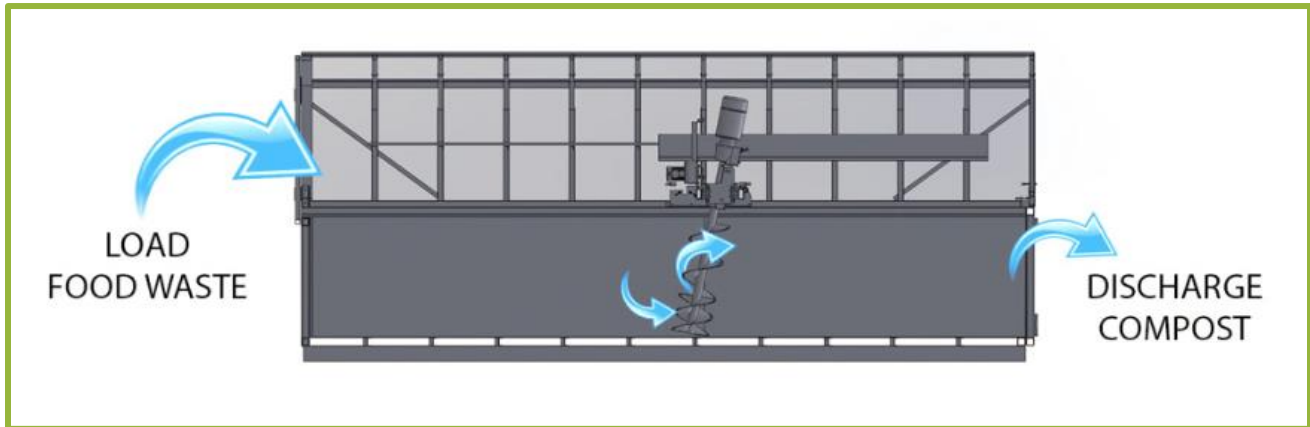
## The Intermodal Earth Flow™

The Intermodal is a re-purposed shipping container that lowers the cost of the in-vessel Earth Flow system by up to 40%. The Earth Flow™ is equipped with a fully automated mixing, aeration and moisture addition system for optimal compost process management and odor control. The shipping container is lined with insulation and stainless steel for a long service life. The intermodals are available in 20', 40' and 53' lengths.

## Auger Mixing System

The computer controlled mixing system provides daily mixing and aeration for the compost inside the Earth Flow. The stainless steel inclined auger is mounted on a carriage that moves side-to-side and front-and-back within the vessel. The auger churns and shreds the compost in the vessel, advancing it slowly toward the discharge end. A control panel allows for automatic operation with multiple mix patterns and programmable timer cycles. The drive motors are controlled by efficient variable frequency drives to regulate the auger speed while minimizing the use of electricity.





### Continuous Flow Design

Food waste and shredded woody or green waste materials can be added daily to the loading end of the Earth Flow. An automated auger mixes the food waste into the hot compost, which rapidly breaks down as it moves toward the discharge end of the vessel. The typical process time for the waste to flow through the vessel is 14 to 21 days. As the organic waste converts into compost, its volume is typically reduced by about 50-60% allowing compost to be unloaded about once a week. To unload compost, open the discharge door and the auger will lift the compost up to 3 feet and push out several yards of compost into a bucket loader, car or pick-up truck.

<b>VESSEL SPECIFICATIONS</b>	<b>EF-20</b>	<b>EF-40</b>	<b>EF-53</b>
Total System Capacity (yd <sup>3</sup> )	20	40	57.8
Processing Capacity (lbs/day)	1,178	2,667	3,200
Processing Capacity (tons/day)	0.5	1.1	1.6
Length - Overall	20'	40'	53'
Width - Overall	8'	8'	8'6"
Height - Overall (to roof peak)	9' 6"	9' 6"	9' 6"
Approx System Weight (lbs)	6,800	12,500	16,250

<b>EQUIPMENT</b>	<b>SPECIFICATIONS</b>
Vessel Insulation	R-18 urethane foam insulation (optional)
Mixing Auger	14" 304 Stainless Steel
Gear Motor	5hp 3ph (208/230/460 V-50/60 Hz)
Gearbox	Helical bevel synthetic lube
Carriage and Rail Drivers	1/8 hp end motor, 1/2 hp side motor
Control Panel	Programmable PLC in NEMA 4x panel
Power Requirements (Motors)	30A 220V single or 208V 3 phase
Power Requirements (Fan and Controls)	15A 110V